

MPS Catalog Number

**H2 90 10 019 MX SS 010**

Date 7/14/2014

\_\_\_\_\_ End Fittings \_\_\_\_\_

Tower End Fitting: \_\_\_\_\_ Gain / 12 deg / Steel

Line End Fitting \_\_\_\_\_ 2 HL Drop Tongue / Galv. Ductile Iron

\_\_\_\_\_ Material \_\_\_\_\_

Corona Ring (Line) \_\_\_\_\_ None

Corona Rings are recommended for applications of 230 kV and above

Mounting Angle \_\_\_\_\_ 12

Number of Sheds \_\_\_\_\_ 10

Rod Diameter \_\_\_\_\_ 2.5 in

Weight Estimate \_\_\_\_\_ 49.4 lbs \_\_\_\_\_ 22 kg

\_\_\_\_\_ Dimensional Values \_\_\_\_\_

Section Length (L): \_\_\_\_\_ 29.8 in \_\_\_\_\_ 757 mm

Rubber Length (X): \_\_\_\_\_ 19 in

Shed spacing (S): \_\_\_\_\_ 2.0 in \_\_\_\_\_ 50 mm

Shed Projection (P): \_\_\_\_\_ 1.6 in \_\_\_\_\_ 41 mm

Dry Arc Distance \_\_\_\_\_ 21.7 in \_\_\_\_\_ 550 mm

Leakage Distance \_\_\_\_\_ 53.2 in \_\_\_\_\_ 1351 mm

\_\_\_\_\_ Electricals Values \_\_\_\_\_

60 Hz dry Flashover \_\_\_\_\_ 219 kV \_\_\_\_\_ Min. Withstand \_\_\_\_\_ 205 kV

60 Hz Wet Flashover \_\_\_\_\_ 198 kV \_\_\_\_\_ Min. Withstand \_\_\_\_\_ 151 kV

Pos. Critical Impulse Flashover \_\_\_\_\_ 371 kV \_\_\_\_\_ Min. Withstand \_\_\_\_\_ 331 kV

Neg. Critical Impulse Flashover \_\_\_\_\_ 461 kV \_\_\_\_\_ Min. Withstand \_\_\_\_\_ 364 kV

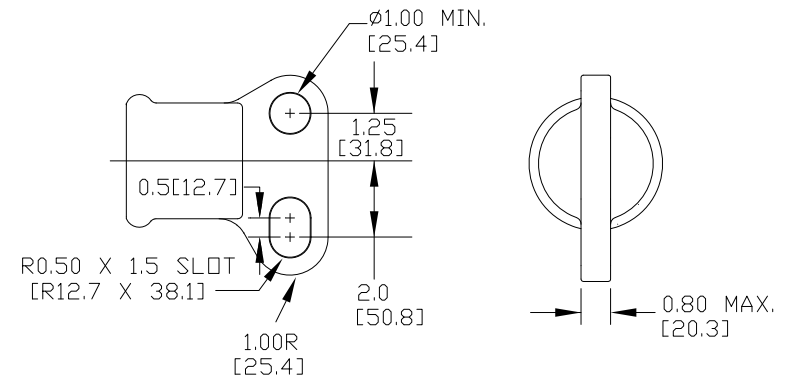
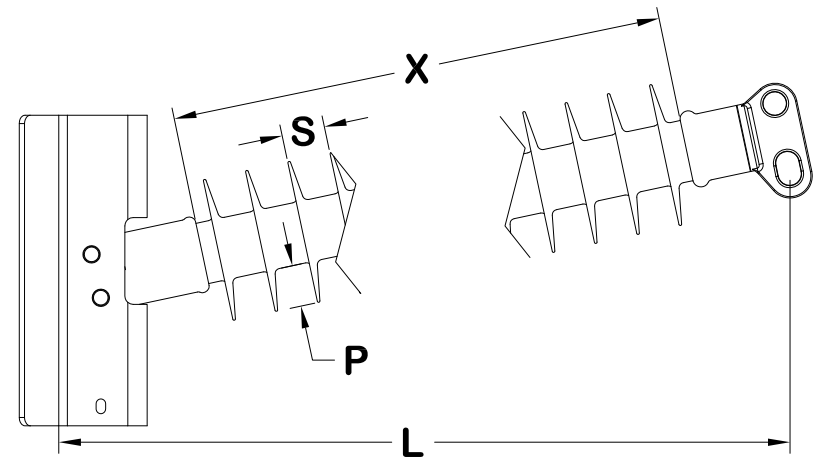
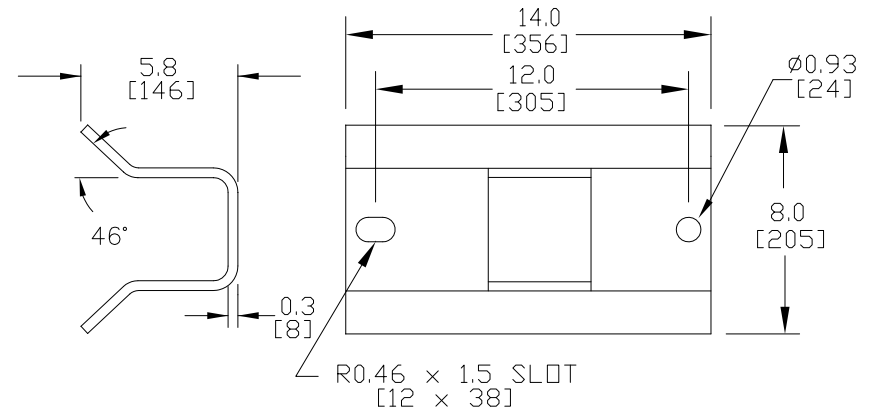
\_\_\_\_\_ Mechanical Values \_\_\_\_\_

Max. Design Cant. Load (MDCL) \_\_\_\_\_ 3,473 lbs \_\_\_\_\_ 15.4 kN

Specified Cant. Load (SCL) \_\_\_\_\_ 6,946 lbs \_\_\_\_\_ 30.9 kN

Specified Tensile Load (STL) \_\_\_\_\_ 15,000 lbs \_\_\_\_\_ 66.7 kN

This drawing contains confidential information that is the property of MacLean Power, L.L.C. ("MacLean"). Use of MacLean's confidential information without MacLean's express written consent is strictly prohibited and may expose you to legal liability. If you believe that you received this material in error, please destroy it or return it to "MacLean Power, L.L.C., 7801 Park Place Rd., York, South Carolina 29745, USA."



Dimension: inches [millimeters]

NOTE: Drawing not actual depiction of insulator appearance

Silicone Rubber Sheath & Sheds. Complies with applicable ANSI and IEC standards.